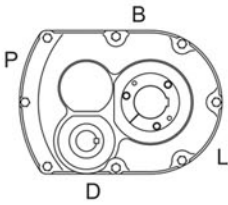


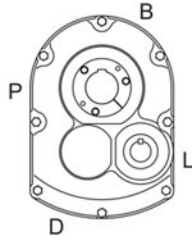
SHAFT MOUNT GEAR REDUCERS SERIES



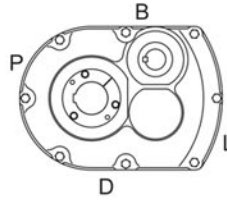
▲ HORIZONTAL APPLICATIONS



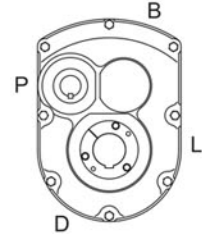
A-POSITION



B-POSITION



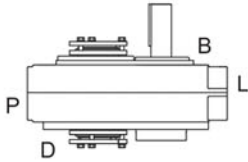
C-POSITION



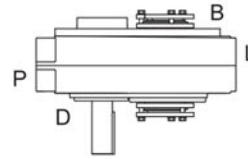
D-POSITION

B : Breather D : Drain L : Level P : Plug

▲ VERTICAL MOUNT



E-POSITION



F-POSITION

Oil Volume Recommendations (Liters)

| SIZE | A | B | C | D | E | F |
|------|-----|------|------|------|-----|------|
| 2 | 0.9 | 0.85 | 0.65 | 0.95 | 1.6 | 1.7 |
| 3 | 1.4 | 1.4 | 1.1 | 1.4 | 2.7 | 2.9 |
| 4 | 1.9 | 2.2 | 1.3 | 1.8 | 3.8 | 4.2 |
| 5 | 3.7 | 4.2 | 3.4 | 4 | 7 | 7.5 |
| 6 | 6.3 | 6.6 | 5.6 | 6.5 | 12 | 12.9 |
| 7 | 7.5 | 8 | 7.5 | 10 | 17 | 18 |
| 8 | 10 | 11 | 11.2 | 11 | 22 | 22 |
| 9 | 12 | 12.1 | 12 | 13.9 | 24 | 25 |

SMR Oil Volume

| SIZE | -9° To 16°C | | 10° To 50°C | |
|-------------|---------------|---------------|---------------|---------------|
| | Mobil SHC 629 | Mobil SHC 630 | Mobil SHC 630 | Mobil SHC 632 |
| AGMA Rating | 4 | 5 | 5 | 6 |
| ISO Grade | 150 | 220 | 220 | 320 |
| 2 | N/A | 1-140 RPM | N/A | 1-140 RPM |
| 3 | N/A | 1-140 RPM | N/A | 1-140 RPM |
| 4 | 126-140 RPM | 1-125 RPM | 126-140 RPM | 1-125 RPM |
| 5 | 101-125 RPM | 1-100 RPM | 101-125 RPM | 1-100 RPM |
| 6 | 101-125 RPM | 1-100 RPM | 101-125 RPM | 1-100 RPM |
| 7 | 41-74 RPM | 1-40 RPM | 41-74 RPM | 1-40 RPM |
| 8 | 41-70 RPM | 1-40 RPM | 41-70 RPM | 1-40 RPM |
| 9 | 41-50 RPM | 1-40 RPM | 41-50 RPM | 1-40 RPM |

MAX / Power Ratings Input HP

Power Rating Ratio 1 : 13 & 1 : 20

(Unit) HP

| OUTPUT RPM | SIZE 2 | SIZE 3 | SIZE 4 | SIZE 5 | SIZE 6 | SIZE 7 | SIZE 8 | SIZE 9 | OUTPUT RPM |
|------------|--------|--------|--------|--------|--------|--------|--------|--------|------------|
| 4 | 0.57 | 0.95 | 1.47 | 2.29 | 3.60 | 5.87 | 9.59 | 14.16 | 4 |
| 6 | 0.82 | 1.34 | 2.12 | 3.28 | 5.16 | 8.43 | 13.76 | 20.29 | 6 |
| 8 | 1.08 | 1.67 | 2.73 | 4.25 | 6.66 | 10.88 | 17.76 | 26.22 | 8 |
| 10 | 1.31 | 2.02 | 3.33 | 5.16 | 8.13 | 13.26 | 21.66 | 31.63 | 10 |
| 12 | 1.56 | 2.34 | 3.96 | 5.97 | 9.67 | 15.78 | 25.77 | 36.68 | 12 |
| 14 | 1.82 | 2.64 | 4.62 | 6.78 | 11.28 | 18.42 | 29.96 | 41.59 | 14 |
| 16 | 2.08 | 2.95 | 5.29 | 7.55 | 12.89 | 20.58 | 33.40 | 46.37 | 16 |
| 18 | 2.33 | 3.24 | 5.86 | 8.31 | 14.50 | 22.66 | 36.76 | 51.05 | 18 |
| 20 | 2.55 | 3.53 | 6.38 | 9.05 | 16.12 | 24.69 | 40.06 | 55.64 | 20 |
| 22 | 2.75 | 3.82 | 6.90 | 9.78 | 17.68 | 26.68 | 43.31 | 60.15 | 22 |
| 24 | 2.94 | 4.09 | 7.40 | 10.50 | 18.99 | 28.65 | 46.50 | 64.59 | 24 |
| 26 | 3.15 | 4.37 | 7.91 | 11.20 | 20.27 | 30.59 | 49.64 | 68.95 | 26 |
| 28 | 3.33 | 4.64 | 8.39 | 11.90 | 21.54 | 32.49 | 52.74 | 73.28 | 28 |
| 30 | 3.53 | 4.91 | 8.87 | 12.59 | 22.78 | 34.38 | 55.81 | 77.54 | 30 |
| 32 | 3.72 | 5.17 | 9.35 | 13.27 | 24.01 | 36.24 | 58.83 | 81.77 | 32 |
| 34 | 3.91 | 5.43 | 9.83 | 13.95 | 25.23 | 38.09 | 61.84 | 85.94 | 34 |
| 38 | 4.27 | 5.95 | 10.75 | 15.27 | 27.64 | 41.72 | 67.74 | 94.16 | 38 |
| 40 | 4.46 | 6.20 | 11.22 | 15.92 | 28.83 | 43.51 | 70.66 | 98.22 | 40 |
| 45 | 4.91 | 6.83 | 12.36 | 17.55 | 31.74 | 47.93 | 77.84 | 108.22 | 45 |
| 46 | 5.01 | 6.95 | 12.58 | 17.85 | 32.32 | 48.79 | 79.26 | 110.19 | 46 |
| 50 | 5.35 | 7.44 | 13.47 | 19.12 | 34.60 | 52.25 | 84.89 | 118.04 | 50 |
| 52 | 5.53 | 7.69 | 13.90 | 19.75 | 35.74 | 53.97 | 87.68 | | 52 |
| 54 | 5.70 | 7.93 | 14.43 | 20.36 | 36.86 | 55.66 | 90.45 | | 54 |
| 58 | 6.04 | 8.40 | 15.20 | 21.59 | 39.08 | 59.04 | 95.93 | | 58 |
| 62 | 6.39 | 8.87 | 16.05 | 22.81 | 41.29 | 62.36 | 101.36 | | 62 |
| 66 | 6.71 | 9.34 | 16.90 | 24.01 | 43.46 | 65.66 | 106.73 | | 66 |
| 70 | 7.04 | 9.80 | 17.73 | 25.22 | 45.61 | 68.93 | 112.05 | | 70 |
| 74 | 7.37 | 10.36 | 18.73 | 26.70 | 47.74 | 72.16 | | | 74 |
| 78 | 7.70 | 10.94 | 19.76 | 28.16 | 50.33 | | | | 78 |
| 80 | 7.86 | 11.22 | 20.28 | 28.91 | 51.65 | | | | 80 |
| 85 | 8.35 | 11.93 | 21.58 | 30.76 | 54.96 | | | | 85 |
| 90 | 8.85 | 12.66 | 22.88 | 32.61 | 58.27 | | | | 90 |
| 95 | 9.35 | 13.37 | 24.17 | 34.46 | 61.60 | | | | 95 |
| 100 | 9.86 | 14.08 | 25.48 | 36.32 | 64.93 | | | | 100 |
| 105 | 10.37 | 14.82 | 26.78 | 38.19 | 68.26 | | | | 105 |
| 110 | 10.87 | 15.53 | 28.08 | 40.04 | 71.59 | | | | 110 |
| 115 | 11.37 | 16.25 | 29.39 | 41.91 | 74.94 | | | | 115 |
| 120 | 11.88 | 16.98 | 30.69 | 43.79 | 78.28 | | | | 120 |
| 125 | 12.38 | 17.70 | 32.01 | 45.67 | 81.65 | | | | 125 |
| 130 | 12.89 | 18.43 | 33.32 | | | | | | 130 |
| 135 | 13.40 | 19.15 | 34.63 | | | | | | 135 |
| 140 | 13.90 | 19.89 | 35.94 | | | | | | 140 |

Output Torque Rating

(Unit) kgm

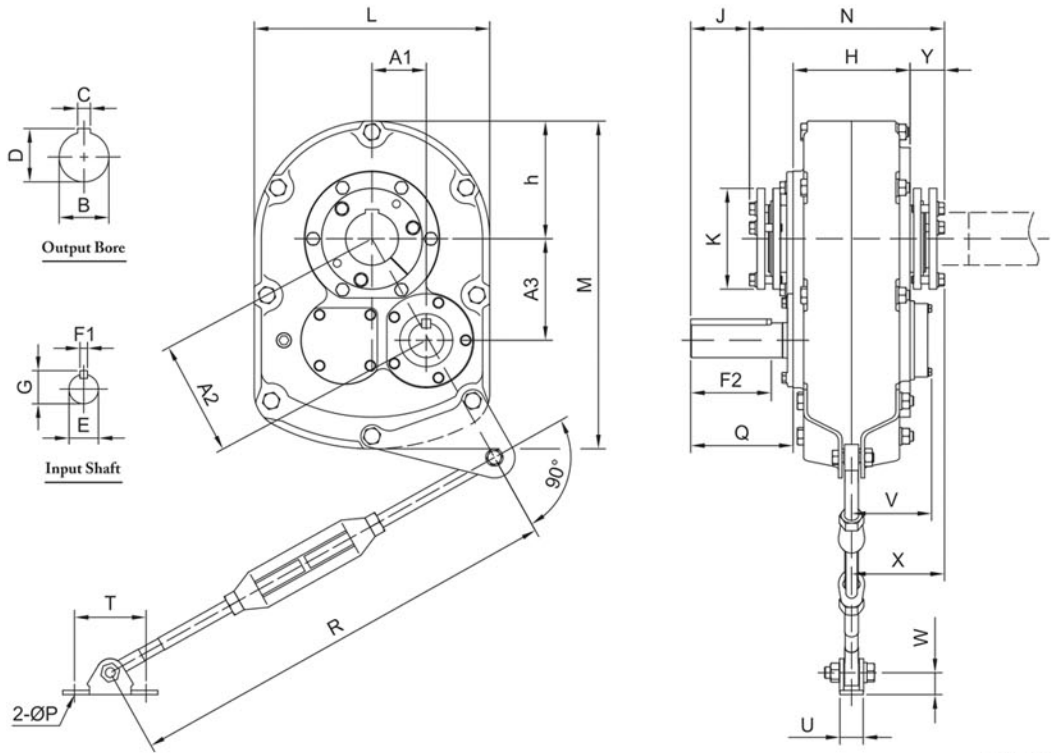
| OUTPUT RPM | SIZE 2 | SIZE 3 | SIZE 4 | SIZE 5 | SIZE 6 | SIZE 7 | SIZE 8 | SIZE 9 | OUTPUT RPM |
|------------|--------|--------|--------|--------|--------|--------|--------|--------|------------|
| 4 | 93 | 155 | 239 | 373 | 586 | 956 | 1562 | 2304 | 4 |
| 6 | 89.5 | 145 | 230 | 356 | 560 | 915 | 1493 | 2202 | 6 |
| 8 | 87.7 | 136 | 222 | 346 | 542 | 886 | 1446 | 2134 | 8 |
| 10 | 85.1 | 131 | 217 | 336 | 529 | 863 | 1410 | 2060 | 10 |
| 12 | 84.4 | 127 | 215 | 324 | 525 | 856 | 1398 | 1990 | 12 |
| 14 | 84.6 | 123 | 215 | 315 | 525 | 857 | 1393 | 1935 | 14 |
| 16 | 84.6 | 120 | 215 | 307 | 525 | 838 | 1359 | 1887 | 16 |
| 18 | 84.2 | 117 | 212 | 301 | 525 | 820 | 1330 | 1847 | 18 |
| 20 | 82.9 | 115 | 208 | 295 | 525 | 804 | 1304 | 1811 | 20 |
| 22 | 81.4 | 113 | 204 | 290 | 523 | 790 | 1282 | 1780 | 22 |
| 24 | 79.8 | 111 | 201 | 285 | 515 | 777 | 1261 | 1752 | 24 |
| 26 | 78.8 | 109 | 198 | 281 | 508 | 766 | 1243 | 1727 | 26 |
| 28 | 77.5 | 108 | 195 | 277 | 501 | 756 | 1227 | 1704 | 28 |
| 30 | 76.6 | 106 | 193 | 273 | 495 | 746 | 1211 | 1683 | 30 |
| 32 | 75.7 | 105 | 190 | 270 | 489 | 737 | 1197 | 1664 | 32 |
| 34 | 75 | 104 | 188 | 267 | 483 | 729 | 1184 | 1646 | 34 |
| 38 | 73.2 | 102 | 184 | 262 | 474 | 715 | 1161 | 1613 | 38 |
| 40 | 72.5 | 101 | 183 | 259 | 469 | 708 | 1150 | 1599 | 40 |
| 45 | 71.1 | 98.8 | 179 | 254 | 459 | 693 | 1126 | 1566 | 45 |
| 46 | 70.9 | 98.4 | 178 | 253 | 457 | 691 | 1122 | 1560 | 46 |
| 50 | 69.7 | 96.9 | 175 | 249 | 451 | 680 | 1106 | 1537 | 50 |
| 52 | 69.2 | 96.2 | 174 | 247 | 447 | 676 | 1098 | 1527 | 52 |
| 54 | 68.7 | 95.6 | 173 | 246 | 444 | 671 | 1091 | | 54 |
| 58 | 67.9 | 94.3 | 171 | 242 | 439 | 663 | 1077 | | 58 |
| 62 | 67.1 | 93.2 | 169 | 240 | 434 | 655 | 1064 | | 62 |
| 66 | 66.2 | 92.2 | 167 | 237 | 429 | 648 | 1053 | | 66 |
| 70 | 65.5 | 91.2 | 165 | 235 | 424 | 641 | 1042 | | 70 |
| 74 | 64.9 | 91.1 | 165 | 235 | 420 | 635 | | | 74 |
| 78 | 64.3 | 91.3 | 165 | 235 | 420 | | | | 78 |
| 80 | 64 | 91.3 | 165 | 235 | 420 | | | | 80 |
| 85 | 64 | 91.4 | 165 | 236 | 421 | | | | 85 |
| 90 | 64 | 91.6 | 166 | 236 | 422 | | | | 90 |
| 95 | 64.1 | 91.7 | 166 | 236 | 422 | | | | 95 |
| 100 | 64.2 | 91.7 | 166 | 237 | 423 | | | | 100 |
| 105 | 64.3 | 91.9 | 166 | 237 | 423 | | | | 105 |
| 110 | 64.3 | 91.9 | 166 | 237 | 424 | | | | 110 |
| 115 | 64.4 | 92 | 166 | 237 | 424 | | | | 115 |
| 120 | 64.4 | 92.1 | 167 | 238 | 425 | | | | 120 |
| 125 | 64.5 | 92.2 | 167 | 238 | 425 | | | | 125 |
| 130 | 64.6 | 92.3 | 167 | | | | | | 130 |
| 135 | 64.6 | 92.4 | 167 | | | | | | 135 |
| 140 | 64.7 | 92.5 | 167 | | | | | | 140 |

Actual Ratio and Input RPM

(rpm)

| OUTPUT RPM | SIZE 2 | | SIZE 3 | | SIZE 4 | | SIZE 5 | | SIZE 6 | | SIZE 7 | | SIZE 8 | | SIZE 9 | |
|------------|--------|-------|--------|-------|--------|-------|--------|-------|--------|-------|--------|------|--------|------|--------|-------|
| | 13.6 | 20.48 | 13.5 | 20.47 | 13.5 | 20.66 | 13.49 | 20.42 | 13.58 | 20.52 | 13.59 | 20.6 | 13.64 | 20.4 | 13.68 | 20.34 |
| 4 | 54 | 82 | 54 | 82 | 54 | 83 | 54 | 82 | 54 | 82 | 54 | 82 | 55 | 82 | 55 | 81 |
| 6 | 82 | 123 | 81 | 123 | 81 | 124 | 81 | 123 | 81 | 123 | 82 | 124 | 82 | 122 | 82 | 122 |
| 8 | 109 | 164 | 108 | 164 | 108 | 165 | 108 | 163 | 109 | 164 | 109 | 165 | 109 | 163 | 109 | 163 |
| 10 | 136 | 205 | 135 | 205 | 135 | 207 | 135 | 204 | 136 | 205 | 136 | 206 | 136 | 204 | 137 | 203 |
| 12 | 163 | 246 | 162 | 246 | 162 | 248 | 162 | 245 | 163 | 246 | 163 | 247 | 164 | 245 | 164 | 244 |
| 14 | 190 | 287 | 189 | 287 | 189 | 289 | 189 | 286 | 190 | 287 | 190 | 288 | 191 | 286 | 192 | 285 |
| 16 | 218 | 328 | 216 | 328 | 216 | 331 | 216 | 327 | 217 | 328 | 217 | 330 | 218 | 326 | 219 | 325 |
| 18 | 245 | 369 | 243 | 368 | 243 | 372 | 243 | 368 | 244 | 369 | 245 | 371 | 246 | 367 | 246 | 366 |
| 20 | 272 | 410 | 270 | 409 | 270 | 413 | 270 | 408 | 272 | 410 | 272 | 412 | 273 | 408 | 274 | 407 |
| 22 | 299 | 451 | 297 | 450 | 297 | 455 | 297 | 449 | 299 | 451 | 299 | 453 | 300 | 449 | 301 | 447 |
| 24 | 326 | 492 | 324 | 491 | 324 | 496 | 324 | 490 | 326 | 492 | 326 | 494 | 327 | 490 | 328 | 488 |
| 26 | 354 | 532 | 351 | 532 | 351 | 537 | 351 | 531 | 353 | 534 | 353 | 536 | 355 | 530 | 356 | 529 |
| 28 | 381 | 573 | 378 | 573 | 378 | 578 | 378 | 572 | 380 | 575 | 380 | 577 | 382 | 571 | 383 | 569 |
| 30 | 408 | 614 | 405 | 614 | 405 | 620 | 405 | 613 | 407 | 616 | 408 | 618 | 409 | 612 | 410 | 610 |
| 32 | 435 | 655 | 432 | 655 | 432 | 661 | 432 | 653 | 435 | 657 | 435 | 659 | 436 | 653 | 438 | 651 |
| 34 | 462 | 696 | 459 | 696 | 459 | 702 | 459 | 694 | 462 | 698 | 462 | 700 | 464 | 694 | 465 | 692 |
| 38 | 517 | 778 | 513 | 778 | 513 | 785 | 513 | 776 | 516 | 780 | 516 | 783 | 518 | 775 | 520 | 773 |
| 40 | 544 | 819 | 540 | 819 | 540 | 826 | 540 | 817 | 543 | 821 | 544 | 824 | 546 | 816 | 547 | 814 |
| 45 | 612 | 922 | 608 | 921 | 608 | 930 | 607 | 919 | 611 | 923 | 612 | 927 | 614 | 918 | 616 | 915 |
| 46 | 626 | 942 | 621 | 942 | 621 | 950 | 621 | 939 | 625 | 944 | 625 | 948 | 627 | 938 | 629 | 936 |
| 50 | 680 | 1024 | 675 | 1024 | 675 | 1033 | 675 | 1021 | 679 | 1026 | 680 | 1030 | 682 | 1020 | 684 | 1017 |
| 52 | 707 | 1065 | 702 | 1064 | 702 | 1074 | 701 | 1062 | 706 | 1067 | 707 | 1071 | 709 | 1061 | 711 | 1058 |
| 54 | 734 | 1106 | 729 | 1105 | 729 | 1116 | 728 | 1103 | 733 | 1108 | 734 | 1112 | 737 | 1102 | 739 | 1098 |
| 58 | 789 | 1188 | 783 | 1187 | 783 | 1198 | 782 | 1184 | 788 | 1190 | 788 | 1195 | 791 | 1183 | 793 | 1180 |
| 62 | 843 | 1270 | 837 | 1269 | 837 | 1281 | 836 | 1266 | 842 | 1272 | 843 | 1277 | 846 | 1265 | 848 | 1261 |
| 66 | 898 | 1352 | 891 | 1351 | 891 | 1364 | 890 | 1348 | 896 | 1354 | 897 | 1360 | 900 | 1346 | 903 | 1342 |
| 70 | 952 | 1434 | 945 | 1433 | 945 | 1446 | 944 | 1429 | 951 | 1436 | 951 | 1442 | 955 | 1428 | 958 | 1424 |
| 74 | 1006 | 1516 | 999 | 1515 | 999 | 1529 | 998 | 1511 | 1005 | 1518 | 1006 | 1524 | 1009 | 1510 | 1012 | 1505 |
| 78 | 1061 | 1597 | 1053 | 1597 | 1053 | 1611 | 1052 | 1593 | 1059 | 1601 | 1060 | 1607 | 1064 | 1591 | 1067 | 1587 |
| 80 | 1088 | 1638 | 1080 | 1638 | 1080 | 1653 | 1079 | 1634 | 1086 | 1642 | 1087 | 1648 | 1091 | 1632 | 1094 | 1627 |
| 85 | 1156 | 1741 | 1148 | 1740 | 1148 | 1756 | 1147 | 1736 | 1154 | 1744 | 1155 | 1751 | 1159 | 1734 | 1163 | 1729 |
| 90 | 1224 | 1843 | 1215 | 1842 | 1215 | 1859 | 1214 | 1838 | 1222 | 1847 | 1223 | 1854 | 1228 | 1836 | 1231 | 1831 |
| 95 | 1292 | 1946 | 1283 | 1945 | 1283 | 1963 | 1282 | 1940 | 1290 | 1949 | 1291 | 1957 | 1296 | 1938 | 1300 | 1932 |
| 100 | 1360 | 2048 | 1350 | 2047 | 1350 | 2066 | 1349 | 2042 | 1358 | 2052 | 1359 | 2060 | 1364 | 2040 | 1368 | 2034 |
| 105 | 1428 | 2150 | 1418 | 2149 | 1418 | 2169 | 1416 | 2144 | 1426 | 2155 | 1427 | 2163 | 1432 | 2142 | 1436 | 2136 |
| 110 | 1496 | 2253 | 1485 | 2252 | 1485 | 2273 | 1484 | 2246 | 1494 | 2257 | 1495 | 2266 | 1500 | 2244 | 1505 | 2237 |
| 115 | 1564 | 2355 | 1553 | 2354 | 1553 | 2376 | 1551 | 2348 | 1562 | 2360 | 1563 | 2369 | 1569 | 2346 | 1573 | 2339 |
| 120 | 1632 | 2458 | 1620 | 2456 | 1620 | 2479 | 1619 | 2450 | 1630 | 2462 | 1631 | 2472 | 1637 | 2448 | 1642 | 2441 |
| 125 | 1700 | 2560 | 1688 | 2559 | 1688 | 2583 | 1686 | 2553 | 1698 | 2565 | 1699 | 2575 | 1705 | 2550 | 1710 | 2543 |
| 130 | 1768 | 2662 | 1755 | 2661 | 1755 | 2686 | 1754 | 2655 | 1765 | 2668 | 1767 | 2678 | 1773 | 2652 | 1778 | 2644 |
| 135 | 1836 | 2765 | 1823 | 2763 | 1823 | 2789 | 1821 | 2757 | 1833 | 2770 | 1835 | 2781 | 1841 | 2754 | 1847 | 2746 |
| 140 | 1904 | 2867 | 1890 | 2866 | 1890 | 2892 | 1889 | 2859 | 1901 | 2873 | 1903 | 2884 | 1910 | 2856 | 1915 | 2848 |

Dimensions



(Unit) mm

| SIZE | A1 | A2 | A3 | B | C | D | E | F1 | F2 | G | h | H | J | K | L |
|------|------|-------|-------|-----|----|-------|----|----|-----|------|-----|-----|------|-----|-----|
| 2 | 54 | 109.7 | 95.5 | 40 | 12 | 43.2 | 22 | 6 | 60 | 24.4 | 104 | 116 | 54.6 | 103 | 213 |
| 3 | 59.4 | 121.4 | 106 | 50 | 16 | 59.2 | 25 | 8 | 70 | 28 | 123 | 143 | 58.7 | 111 | 235 |
| | | | | 55 | | | 28 | | | 31 | | | | | |
| | | | | | | | | | | | | | | | |
| 4 | 70 | 140.4 | 121.7 | 65 | 18 | 69.3 | 32 | 10 | 70 | 36 | 140 | 162 | 82.8 | 122 | 264 |
| 5 | 77 | 163.3 | 144 | 75 | 20 | 80 | 42 | 12 | 90 | 45 | 167 | 166 | 83.6 | 143 | 334 |
| 6 | 104 | 200 | 171 | 85 | 22 | 90.4 | 48 | 14 | 100 | 51.6 | 192 | 187 | 91 | 155 | 384 |
| 7 | 130 | 247.4 | 211 | 100 | 28 | 106.4 | 55 | 16 | 100 | 59 | 238 | 187 | 85 | 184 | 476 |
| 8 | 153 | 285.8 | 241 | 100 | 28 | 106.4 | 55 | 16 | 140 | 59 | 257 | 215 | 103 | 198 | 514 |
| 9 | 167 | 321.6 | 274.6 | 125 | 32 | 132.3 | 60 | 18 | 190 | 64 | 288 | 210 | 165 | 220 | 575 |

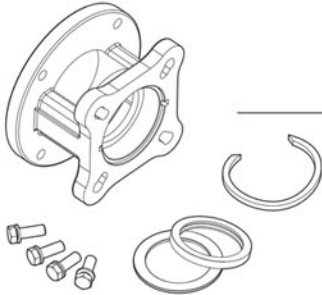
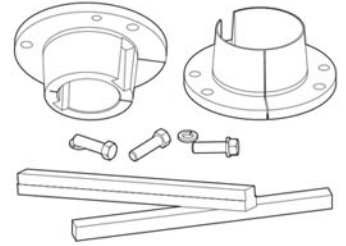
| SIZE | M | N | P | Q | R min | R max | T | U | V | W | X | Y | Weight (kg) |
|------|-----|-----|----|-----|-------|-------|------|-----|------|------|-----|------|-------------|
| 2 | 290 | 189 | 13 | 91 | 684 | 837 | 76.2 | 28 | 73 | 27 | 95 | 36.6 | 25 |
| 3 | 327 | 238 | 13 | 110 | 684 | 837 | 76.2 | 28 | 88.7 | 27 | 120 | 43.2 | 40 |
| 4 | 385 | 261 | 17 | 137 | 741 | 894 | 102 | 34 | 102 | 31.2 | 132 | 45.2 | 60 |
| 5 | 465 | 277 | 17 | 145 | 741 | 894 | 102 | 34 | 114 | 31.2 | 132 | 48.8 | 82 |
| 6 | 542 | 299 | 17 | 153 | 741 | 894 | 121 | 70 | 133 | 50.8 | 147 | 49.3 | 127 |
| 7 | 659 | 339 | 17 | 161 | 748 | 900 | 121 | 70 | 116 | 50.8 | 170 | 76.5 | 170 |
| 8 | 718 | 370 | 21 | 181 | 762 | 914 | 178 | 102 | 150 | 80 | 187 | 77.7 | 250 |
| 9 | 805 | 374 | 21 | 245 | 762 | 914 | 178 | 102 | 156 | 80 | 191 | 84.6 | 340 |

Accessories Kits



Tapered Bushing Kits

Twin tapered bushing kits are perfectly sized for worldwide shaft mount reducers (as well as other manufacturers) and assures you of fast and simple installation, as well as reliable tapered support on both sides of the reducer.

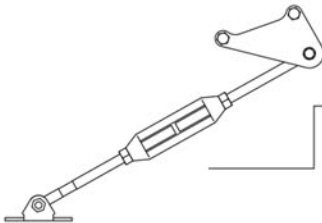
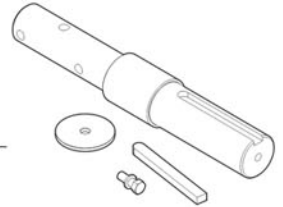


CEMA Adapter

are engineered to CEMA dimensions. Adapter features double-lip seals on both sealing surfaces.



CEMA Drive Shaft



Torque Arm

Kit with brackets for universal mounting.



Backstop Assemblies

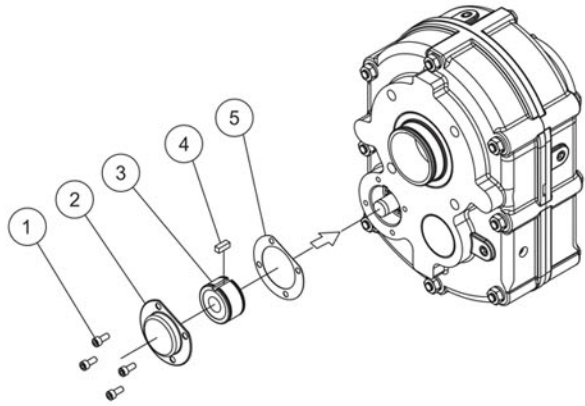
Universal backstop assemblies for shaft mount ensure smooth, forward operation of conveyor with no backslip.



Assemblies - Backstop

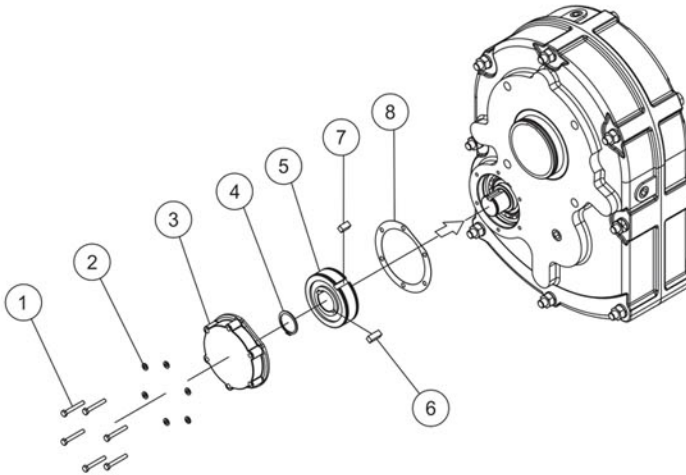
For box size : 2, 3, 4, 5

1. Bolts
2. End Cover
3. Backstop
4. Key
5. Gasket



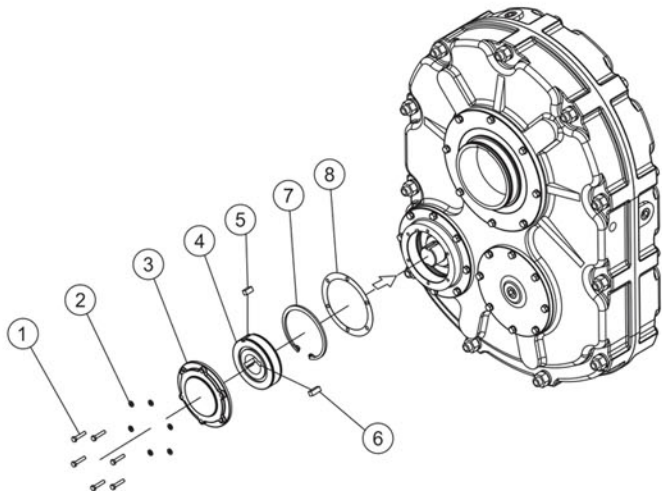
For box size : 6, 7, 8

1. Bolts
2. Spring Washer
3. End Cover
4. C-clip (for size 6 only)
5. Backstop
6. Key (inner)
7. Key (outer)
8. Gasket



For box size : 9

1. Bolts
2. Spring Washer
3. End Cover
4. Backstop
5. Key (outer)
6. Key (inner)
7. C-clip
8. Gasket



Assemblies - Backstop

Step 1 : Remove backstop cover and gasket from the gearbox.

Step 2 : (for size 9 only) put C-clip into housing's groove.

Step 3 : Determine the direction of required shaft rotation.

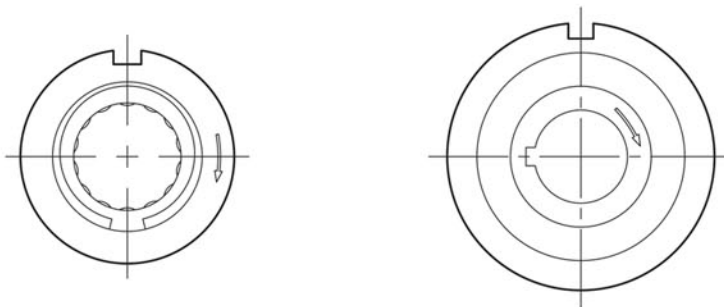
(Size 2 - 5 backstops don't have inner race, the rotation arrow is marked on the outer race, meaning the outer race's free direction; shaft direction is opposite in other words. Size 6 - 9 backstops have inner race, the rotation arrow is marked on the inner race, meaning the inner race's free direction as well as the shaft's free direction.)

Step 4 : Feed the backstop into the housing, feed the key into backstops outer race and housing's key ways. In case of backstops with inner race, feed another key into the backstops inner race and the shaft's key ways.

Step 5 : (for Size 6 only) put C-clip onto end side of shafts groove.

Step 6 : Install the end cover.

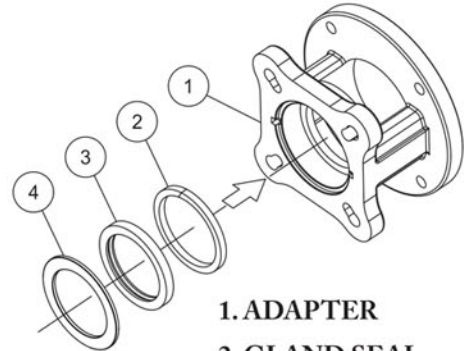
Step 7 : Refill oil.



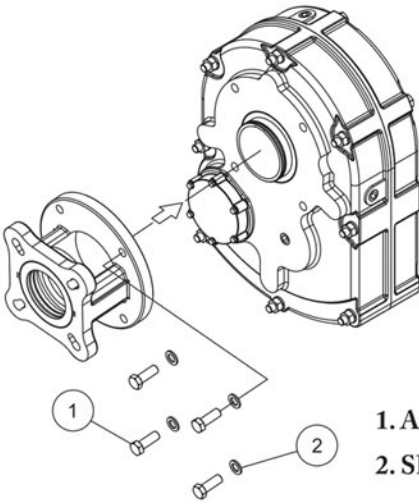
Assemblies - Adapter & Drive Shaft

Step 1:

Please follow the sequence of gland seal, oil seal and seal retainer to complete the adapter assemblies.



1. ADAPTER
2. GLAND SEAL
3. OIL SEAL
4. SEAL RETAINER



1. ADAPTER
2. SPRING WASHER

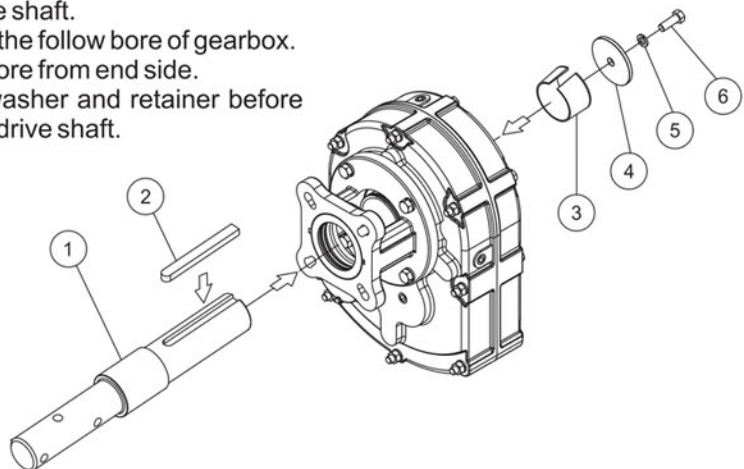
Step 2:

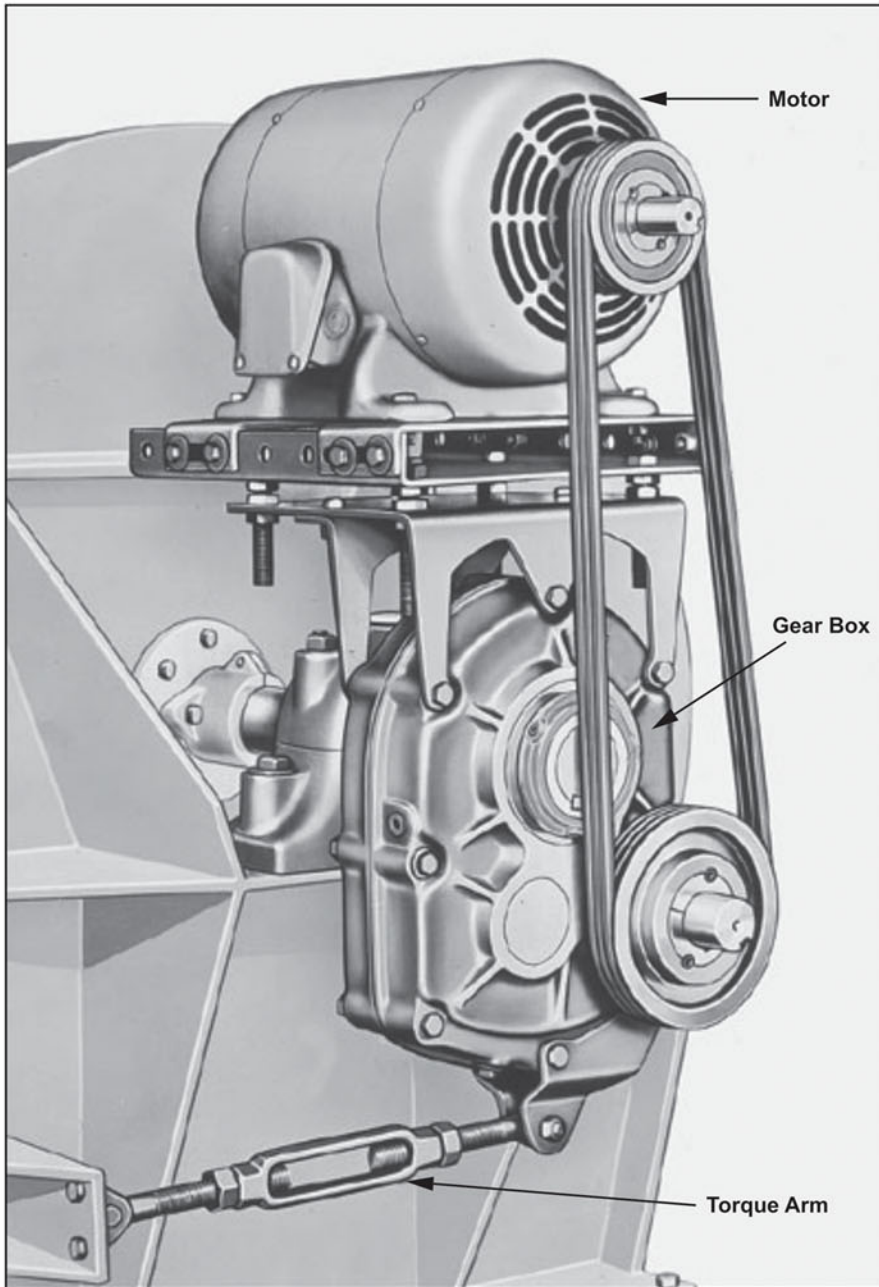
Please put adapter bolts through spring washers and then fasten the adapter kit onto the gearbox.

Step 3:

1. Strike the key onto the drive shaft.
2. Put the drive shaft through the follow bore of gearbox.
3. Put the bushing in hollow bore from end side.
4. Put the bolt through the washer and retainer before fasten onto the end side of drive shaft.

1. DRIVE SHAFT
2. KEY
3. BUSHING
4. SHAFT RETAINER
5. SPRING WASHER
6. BOLT





SHAFT MOUNT GEAR REDUCERS SERIES



HELICAL BEVEL GEAR
(K Series)



HELICAL WORM GEAR



HELICAL GEAR
(MVF)



HELICAL GEAR
(MHF)



HOLLOW SHAFT GEAR

CHENTA PRECISION MACHINERY IND. INC.

WORM GEAR

SCREW JACK
(J Series)



PT INTERJAYA SURYAMEGAH

SOLUTIONS FOR YOUR POWER & TRANSMISSION NEEDS

HEAD OFFICE

Surabaya:
Jl. Rungkut Industri III No. 45
Surabaya - Jawa Timur, 60293
Phone: (031) 9985 0000
Fax: (031) 9985 1477
E-mail: support@interjaya.com

BRANCH OFFICE

Tangerang:
Komplek Pergudangan Arcadia Blok G12 No. 10
Jl. Daan Mogot Km 21.5, Tangerang
Phone: (021) 2900 6565
Fax: (021) 2900 6547, 2900 6548
E-mail: ism@interjaya.com

Cikupa:
Ruko Cabaret Blok KF 02 No. 12
Komplek Mardigras Perum. Citra Raya
Phone: (021) 2900 3600
Fax: (021) 2900 3516
E-mail: ism.cikupa@interjaya.com

Semarang:
Kawasan Industri Candi
Jl. Gatot Subroto Blok XVI No. 6
Phone: (024) 7692 8989
Fax: (024) 7692 8988
E-mail: ismsemarang@interjaya.com

Visit our website:
www.interjaya.com

Cikarang:
Jl. Tol Jakarta Cikampek Km 37
Ruko Spanish Square Blok B No. 6, Kota Deltamas
Phone: (021) 899 700 10
Fax: (021) 899 705 55
E-mail: ism.ckr@interjaya.com

Medan:
Irian Barat Pasar VII
Komp. Pergudangan Cemara No. 62, Percut
Phone: (061) 800 32321, 0851 0022 1150
Fax: (061) 800 32320
E-mail: ismmedan@interjaya.com

Balikpapan:
Jl. Sultan Hasanuddin RT. 068
Graha Indah, Bizhub 52 No. A-15
Kariangau Km 5.5, Balikpapan
Phone: 0851 0015 9527
E-mail: ismbalikpapan@interjaya.com

成大齒輪
CHENTA GEAR